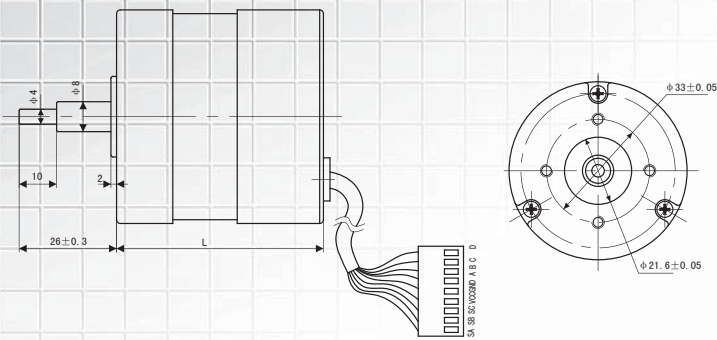
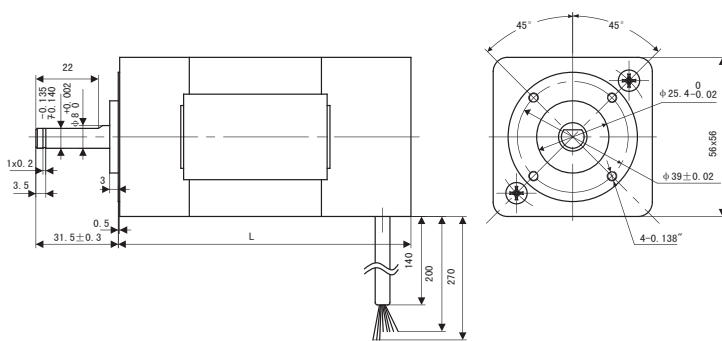


BL-56 Series Brushless DC Motors



Dimension BL-5656 BL-5660 BL-5667



Dimension BL-5676 BL-56101

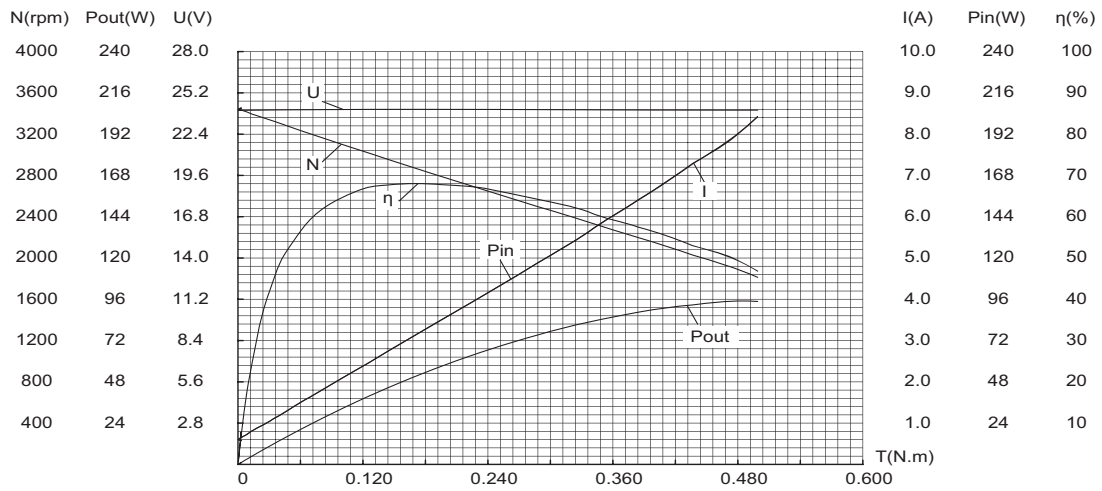


Specification

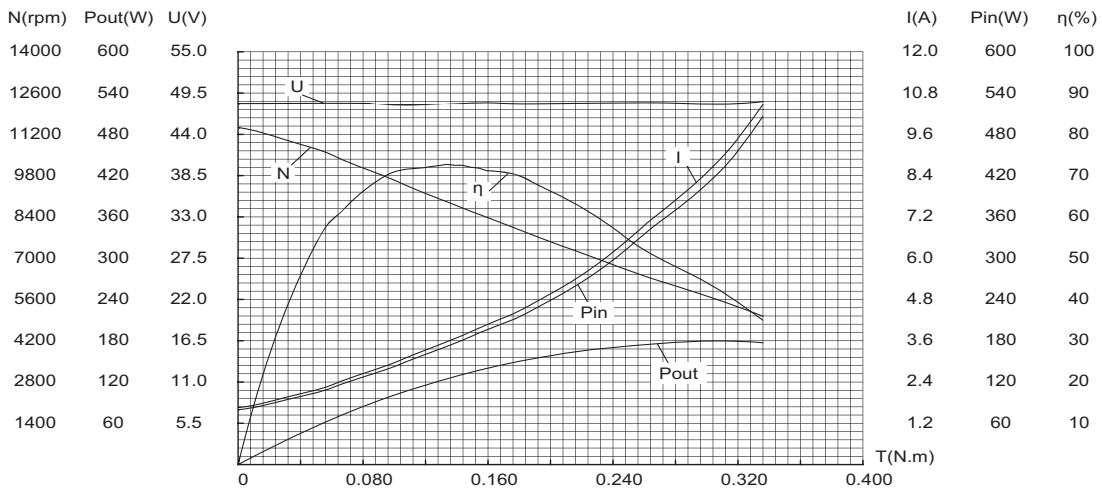
Model	Voltage (V _{DC})	No Load Current (A)	No Load Speed (rpm)	Max Efficiency (%)	Max Torque (N.M)	Max Output (W)	Length(L) (mm)	N.W. (Kg)
BL-5656	24	0.58	3500	68%	0.499	94.99	56	0.48
	48	1.5	11500	73%	0.336	179.81	56	0.48
BL-5660	24	0.77	3700	72%	0.367	104.50	60	0.54
BL-5667	24	0.84	3300	67%	0.300	84.95	67	0.62
BL-5676	24	0.58	8000	58%	0.0429	35.62	76	0.9
	160	0.55	9500	72%	0.803	408.86	76	0.9
BL-56101	160	0.52	6200	64%	0.217	139.19	101	1.2
	220	0.33	6200	77%	0.692	272.19	101	1.2

※ Controller is requested for motor running

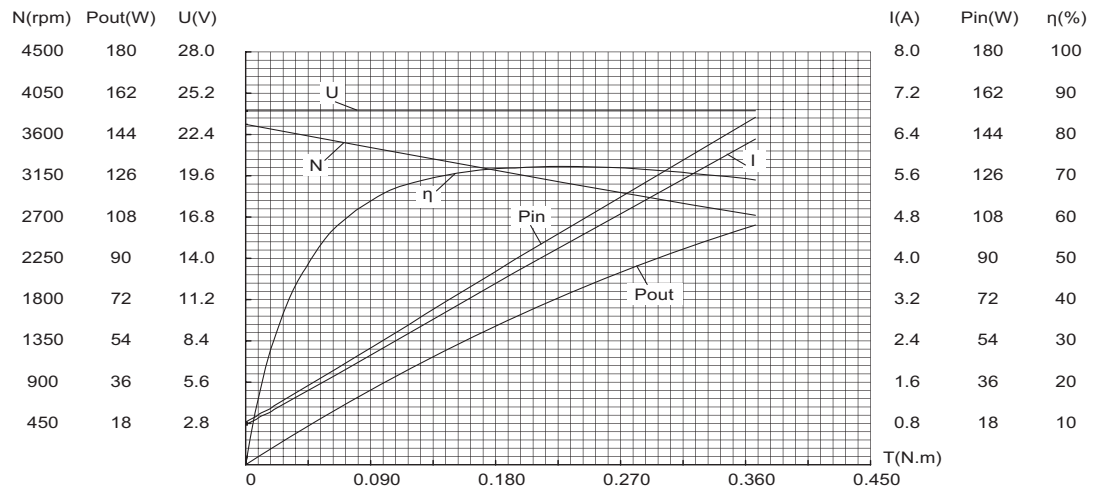
Curve (BL-5656-24V)



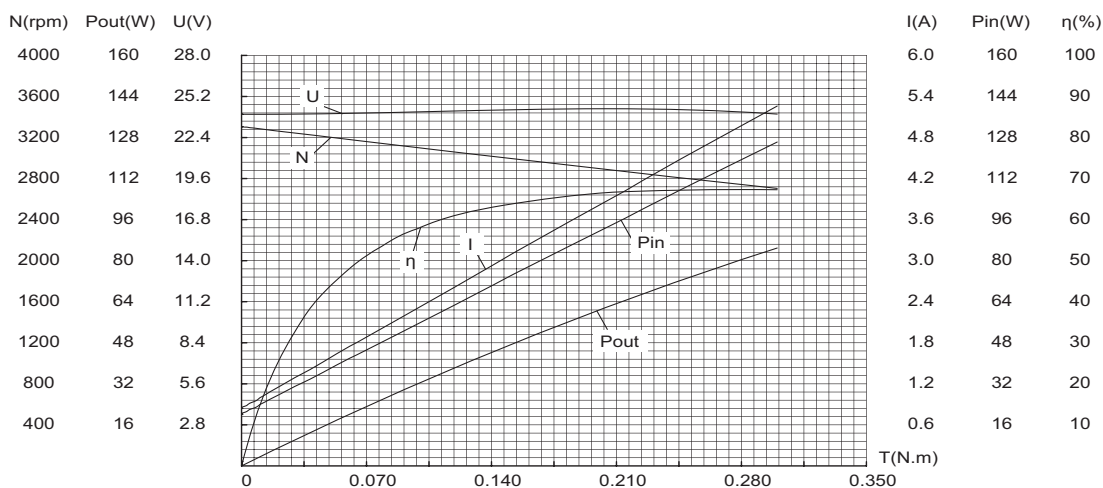
Curve (BL-5656-48V)



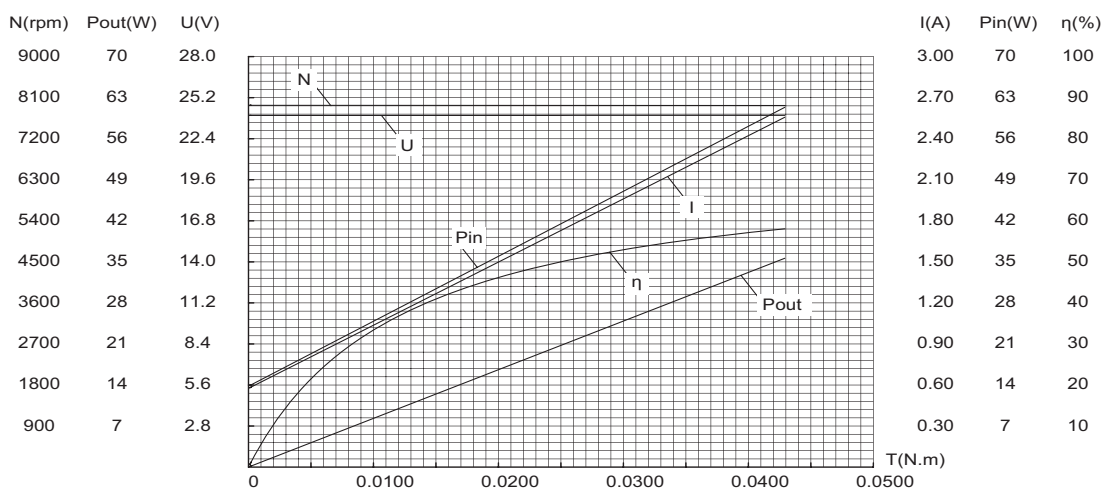
Curve (BL-5660-24V)



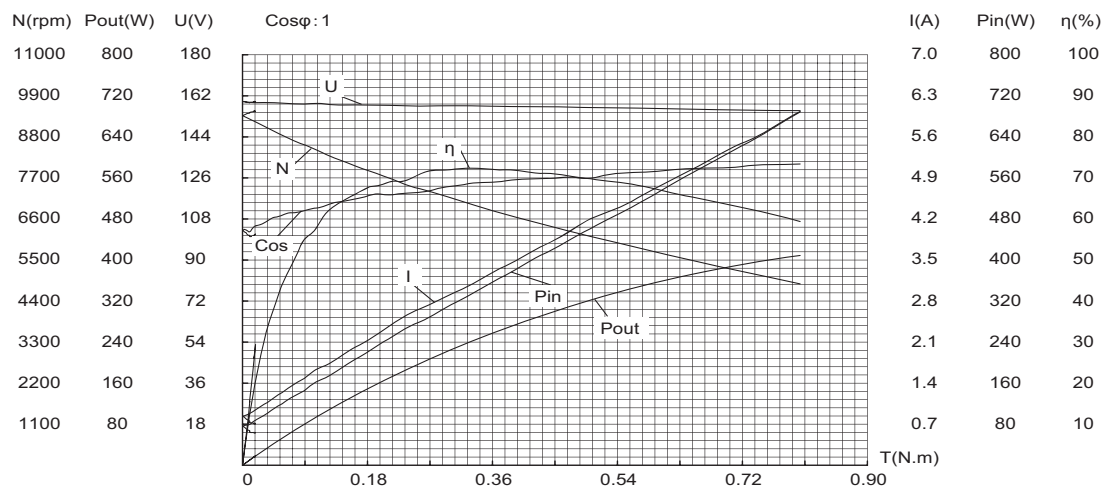
Curve (BL-5667-24V)



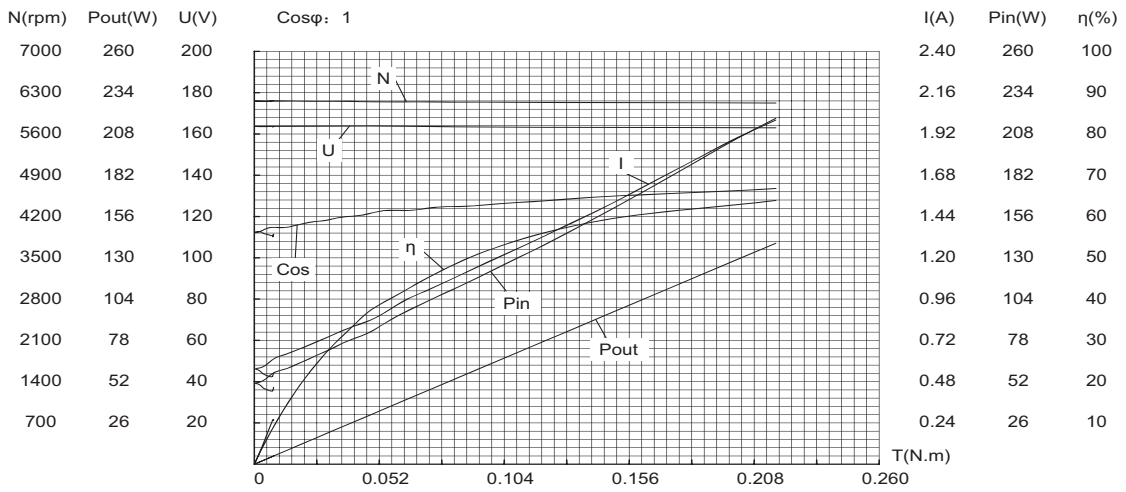
Curve (BL-5676-24V)



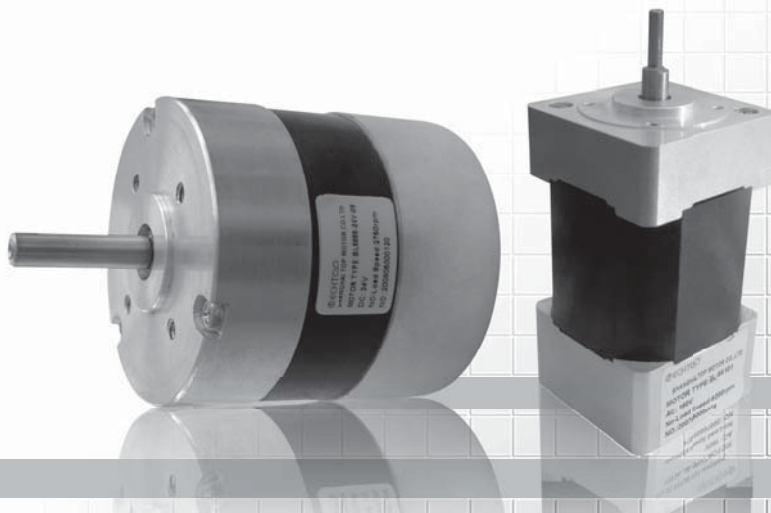
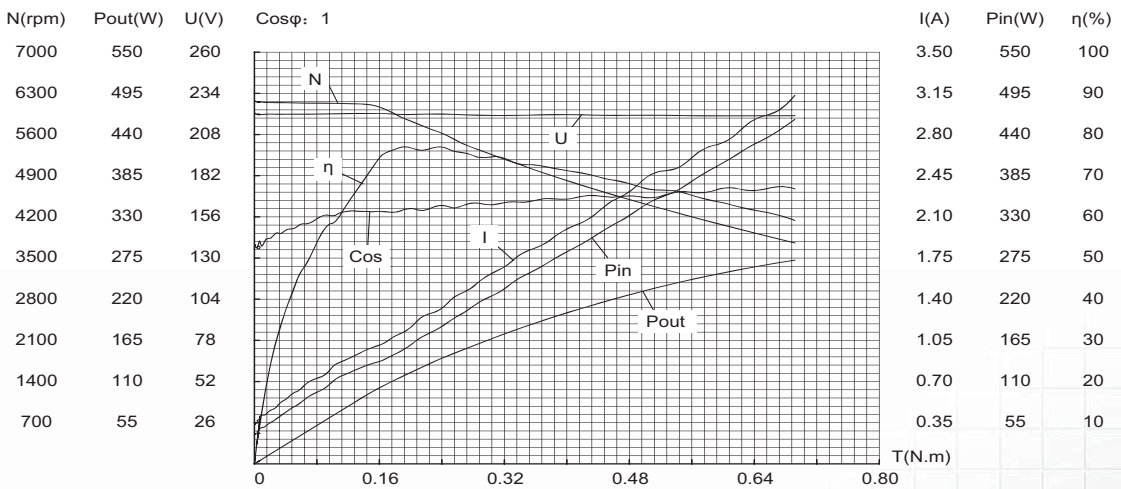
Curve (BL-5676-160V)



Curve (BL-56101-160V)



Curve (BL-56101-220V)



IEC MOTOR

GOST MOTOR

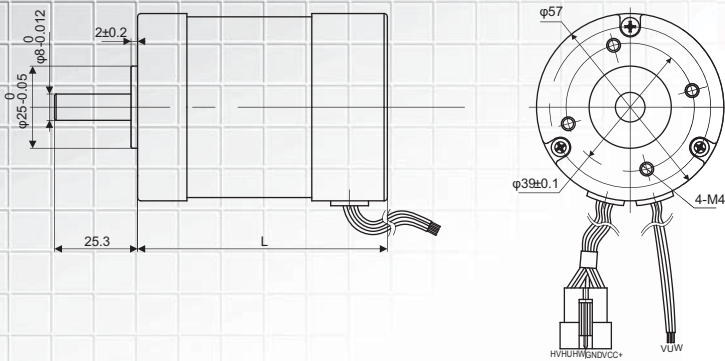
NEMA MOTOR

PUMP

GENERATOR

D.C. MOTOR

BL-57 Series Brushless DC Motors



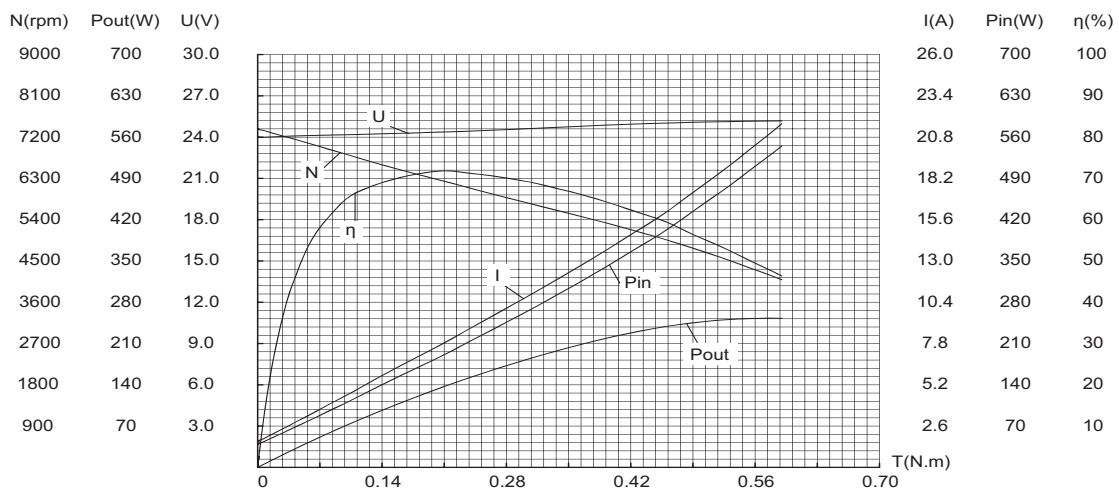
Dimension BL-5756 BL-5776 BL-5796

Specification

Model	Voltage (V _{DC})	No Load Current (A)	No Load Speed (rpm)	Max Efficiency (%)	Max Torque (N.M)	Max Output (W)	Length(L) (mm)	N.W. (Kg)
BL-5756	24	0.4	7500	72%	0.59	253	56	0.48
BL-5776	24	0.45	5800	80%	0.783	166.74	76	0.75
BL-5796	24	0.5	5300	76%	0.603	107.88	96	1.09

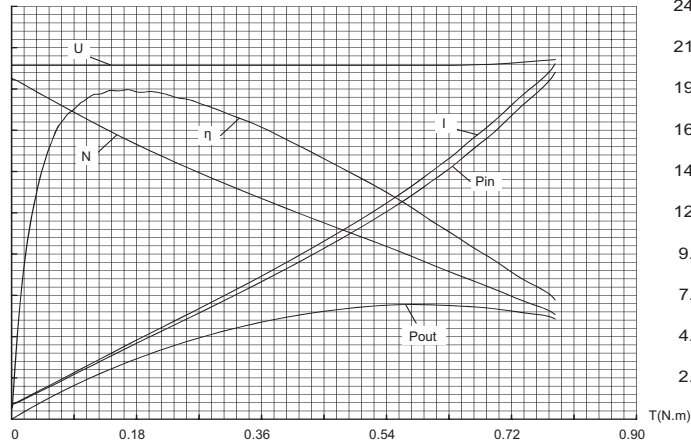
※ Controller is requested for motor running

Curve (BL-5756-24V)



Curve (BL-5776-24V)

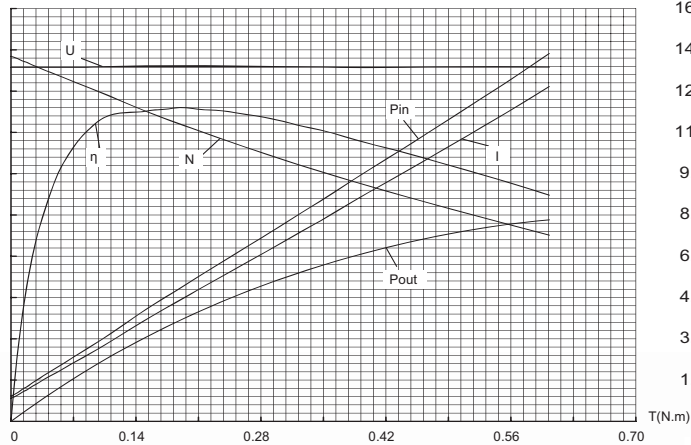
N(rpm)	Pout(W)	U(V)
7000	600	28.0
6300	540	25.2
5600	480	22.4
4900	420	19.6
4200	360	16.8
3500	300	14.0
2800	240	11.2
2100	180	8.4
1400	120	5.6
700	60	2.8



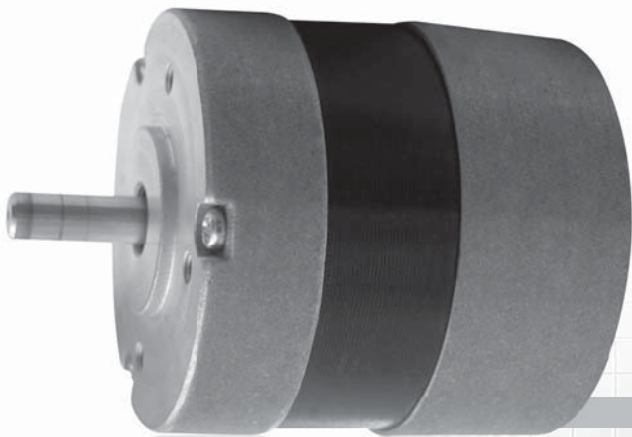
I(A)	Pin(W)	η(%)
24.0	600	100
21.6	540	90
19.2	480	80
16.8	420	70
14.4	360	60
12.0	300	50
9.6	240	40
7.2	180	30
4.8	120	20
2.4	60	10

Curve (BL-5796-24V)

N(rpm)	Pout(W)	U(V)
6000	350	28.0
5400	315	25.2
4800	280	22.4
4200	245	19.6
3600	210	16.8
3000	175	14.0
2400	140	11.2
1800	105	8.4
1200	70	5.6
600	35	2.8



I(A)	Pin(W)	η(%)
16.0	350	100
14.4	315	90
12.8	280	80
11.2	245	70
9.6	210	60
8.0	175	50
6.4	140	40
4.8	105	30
3.2	70	20
1.6	35	10



IEC MOTOR

GOST MOTOR

NEMA MOTOR

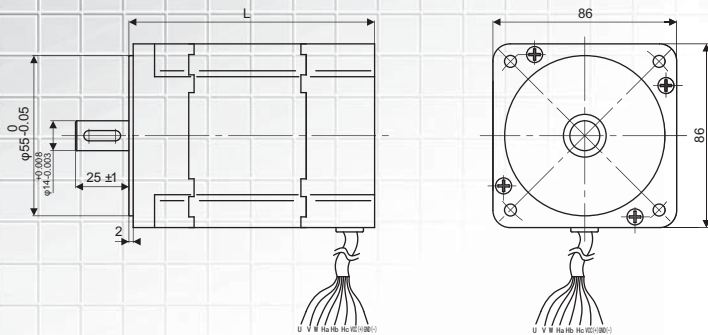
PUMP

GENERATOR

D.C. MOTOR

BL-86 Series

Brushless DC Motors



Dimension

BL 86115

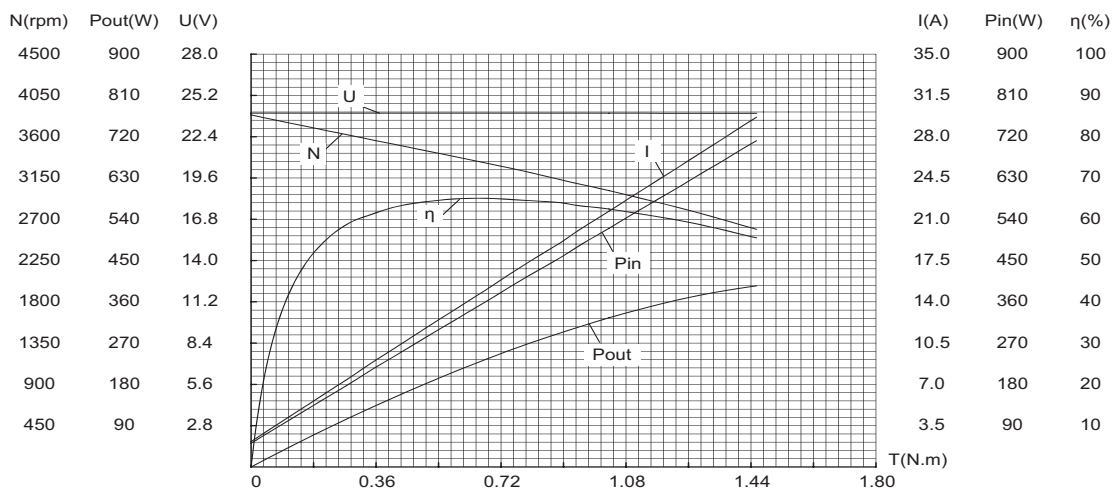


Specification

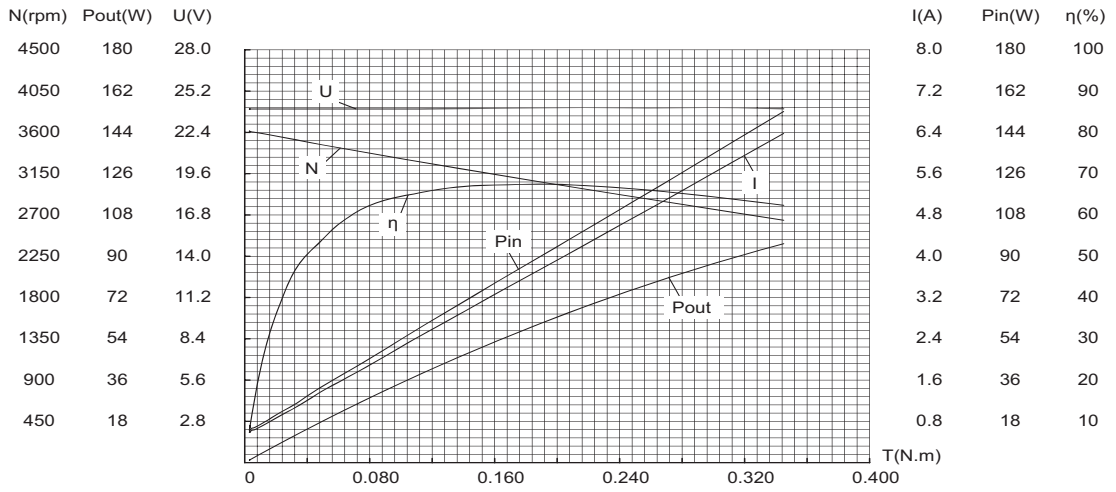
Model	Voltage (V _{DC})	No Load Current (A)	No Load Speed (rpm)	Max Efficiency (%)	Max Torque (N.M)	Max Output (W)	Length(L) (mm)	N.W. (Kg)
BL-86115	24	0.9	3800	65%	1.456	394.91	115	3.36
	36	0.8	3600	67%	0.345	95.45	115	3.36
	48	0.7	3600	69%	0.486	141.30	115	3.36

※ Controller is requested for motor running

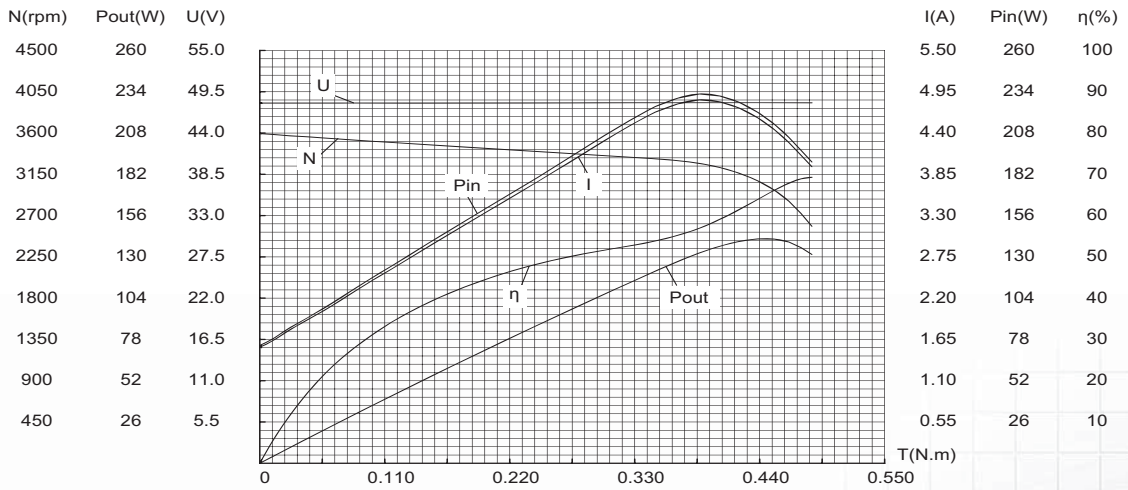
Curve (BL-86115-24V)



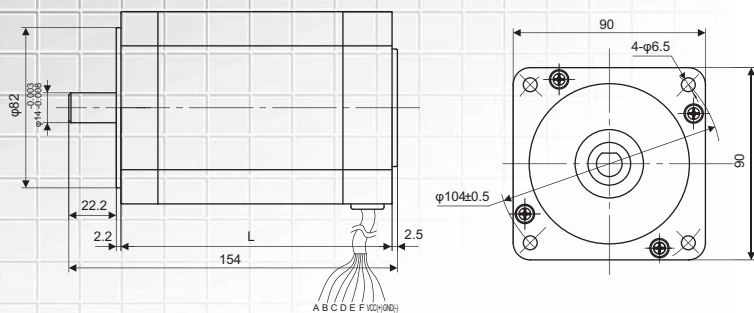
Curve (BL-86115-36V)



Curve (BL-86115-48V)



BL-90 Series Brushless DC Motors



Dimension

BL-9077 BL-90107

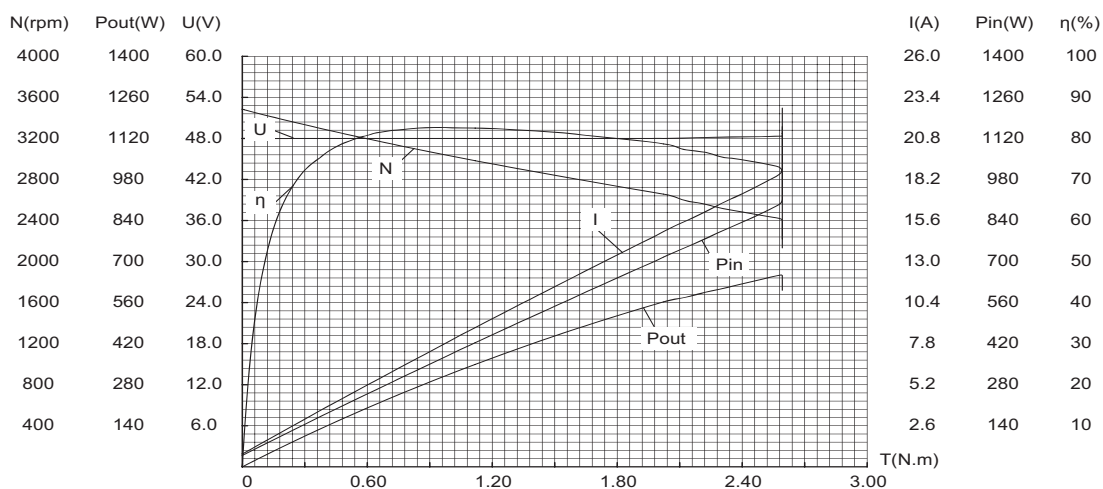


Specification

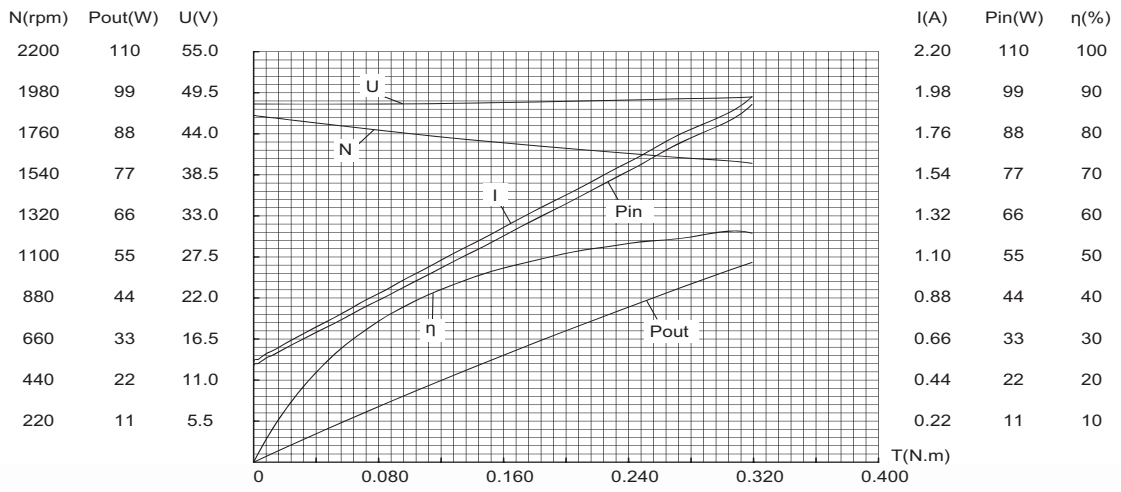
Model	Voltage (V _{DC})	No Load Current (A)	No Load Speed (rpm)	Max Efficiency (%)	Max Torque (N.M)	Max Output (W)	Length(L) (mm)	N.W. (Kg)
BL-9077	48	0.82	3500	83%	2.592	654.13	77	2.80
BL-90107	48	0.54	1900	56%	0.319	53.52	107	3.9

※ Controller is requested for motor running

Curve (BL-9077-48V)



Curve (BL-90107-48V)



IEC MOTOR

GOST MOTOR

NEMA MOTOR

PUMP

GENERATOR

D.C. MOTOR